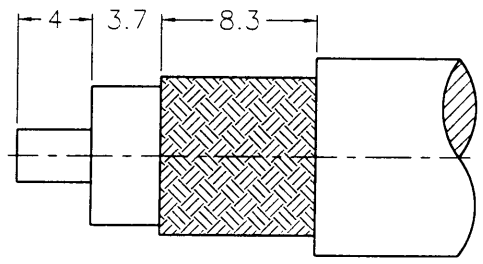
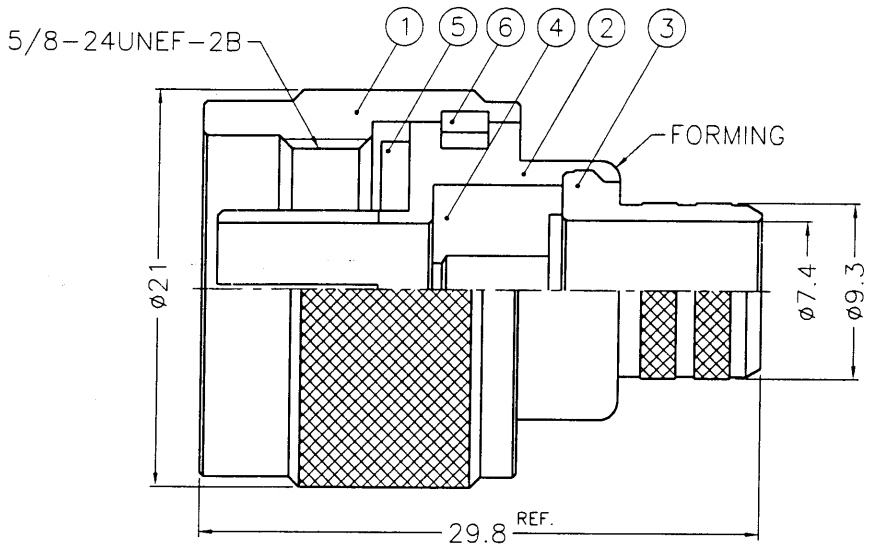
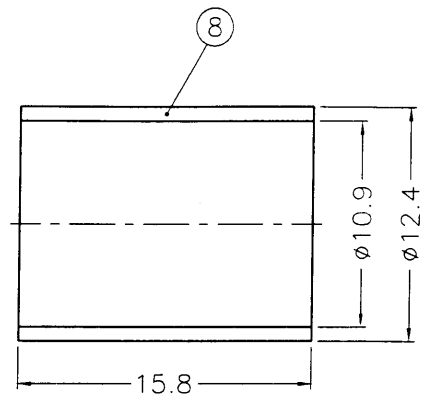
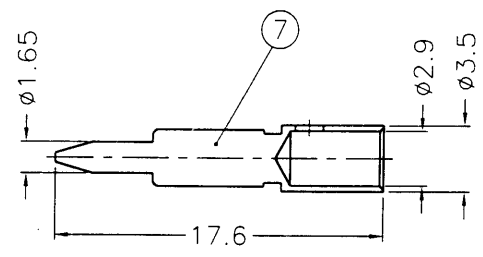


REVISIONS		
ISS	ZONE	DESCRIPTION\PER REQUEST\DATE



業務部

RECOMMENDED
CABLE STRIPPING DIM'S



NOTES: FINISH (PLATING THICKNESS IN MICRO-INCHES)
 1. BRASS PER QQ-B-626
 2. NICKEL PL. 100 MIN. THICK OVER COPPER STRIKE
 3. GOLD PL. 3 MIN. THICK OVER NICKEL PL. 100 MIN. THICK OVER COPPER STRIKE
 4. TEFLON MIL-P-19468
 5. JIS H 3250, C 2700

88.4.19
R & D

NO.	DESCRIPTION	MATERIAL	FINISH	Q'TY	DRAWING NO.
8	FERRULE	NOTE 5	NOTE 2	1	FR-124/109X158
7	CONTACT PIN	NOTE 1	NOTE 3	1	N5201-11-35/29-C
6	RETAINER RING	SUS 304	NATURAL	1	N5000-7-C
5	GASKET	SILICONE	RED	1	GS-156/8X15
4	INSULATOR	NOTE 4	NATURAL	1	N5201-5T-50-9913
3	BARREL	NOTE 1	NOTE 2	1	N5000-3-93/74
2	BODY	NOTE 1	NOTE 2	1	N1121A2-2
1	SHELL	NOTE 1	NOTE 2	1	N5000-1-B

DIMENSIONS ARE IN MILLIMETERS			
UNLESS OTHERWISE SPECIFIED TOLERANCES			
0.5-6	=	±0.2	
6-30	=	±0.4	
30-120	=	±0.6	
120-315	=	±1	
315-1000	=	±1.6	
1000-2000	=	±2.4	

PART NO.	
APPROVED <i>[Signature]</i>	DATE 04-15-99'
CHECKED <i>[Signature]</i>	DATE 04-15-99'
DRAWN <i>[Signature]</i>	DATE 04-15-99'

<p>KAI JACK INDUSTRIAL CO., LTD. TAINAN TAIWAN R.O.C.</p>	TITLE N CRIMP PLUG (FOR BELDEN 9913, 9914)
	DRAWING NO. KJ-N1121A2-NT3G-9913-50
	FILE NO. F:\DWG\N\1121A2\9913-50\NT3G

F
E
D
C
B
A

F
E
D
C
B
A